



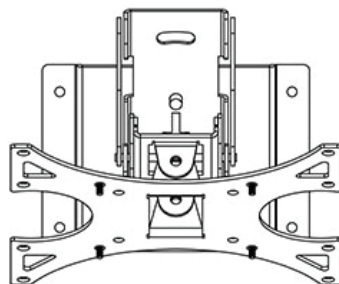
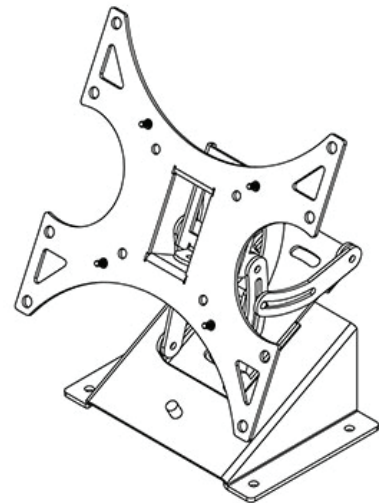
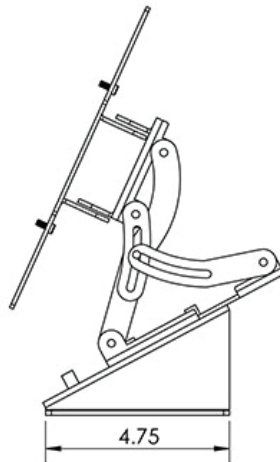
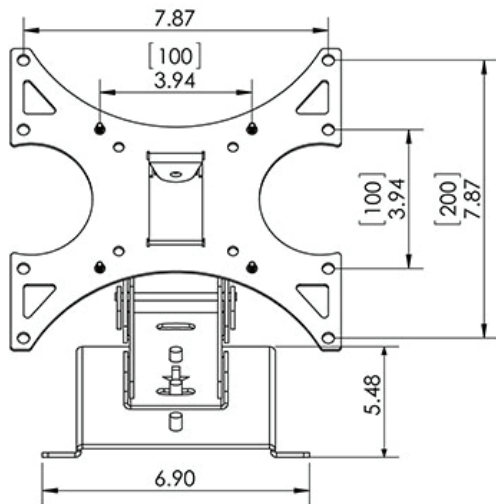
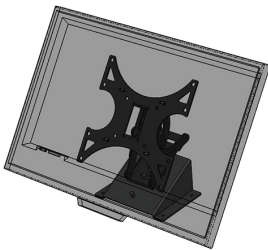
The **PLM1022** is an LCD monitor mount designed for podium and lectern surfaces. It provides the capability to mount and position LCD screens at a comfortable viewing angle for standing presenters. This mount bracket supports adjustments in three dimensions; it can be swiveled  $\pm 30^\circ$  and can be tilted up to  $\pm 15^\circ$ . Additionally, it can be extended from a minimum distance to the wall of 3.3" to a maximum of 5.8". This bracket is designed for VESA mounting pattern of 75x75, 100x100, 200x100 and 200x200 mm.

**Standard Features**

- 75x75, 100x100, 200x100 and 200x200 mm standard mounting plate
- Compatible with most 10" - 24" LCD monitors
- It can be swiveled  $\pm 30^\circ$  and can be tilted up to  $\pm 15^\circ$
- 2 height positions to accommodate various screen sizes and angles
- Requires flat surface for installation

**Specifications**

**Model:** PLM1022  
**Width:** 8.5"  
**Depth:** 8.5"  
**Height:** 6"  
**Color:** Black



The information contained in this drawing is the sole property of Audio Visual Furniture International. Any reproduction in part or as a whole without the written permission of Audio Visual Furniture International is prohibited. AVFI can build or modify stock configurations to suit customer specifications. Please contact us to discuss how this service can help meet your needs. Some quantity restrictions may apply. Specification subject to change without notice. Computers, cameras, monitors, etc. are shown to illustrate product usage and are not included unless otherwise noted.